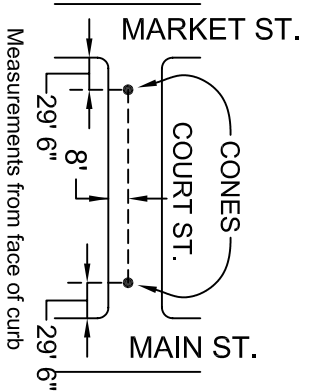
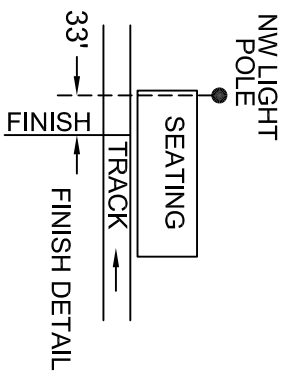
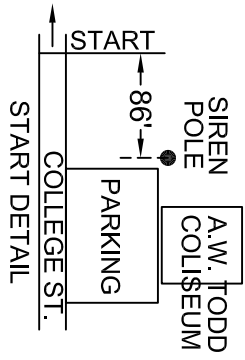
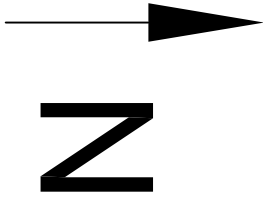


Jesse Owens Memorial 10K Moulton, AL

Measured by Danny Michael & Gary House
April 29, 2007
Calibration Course AL03013JD
MAP NOT TO SCALE



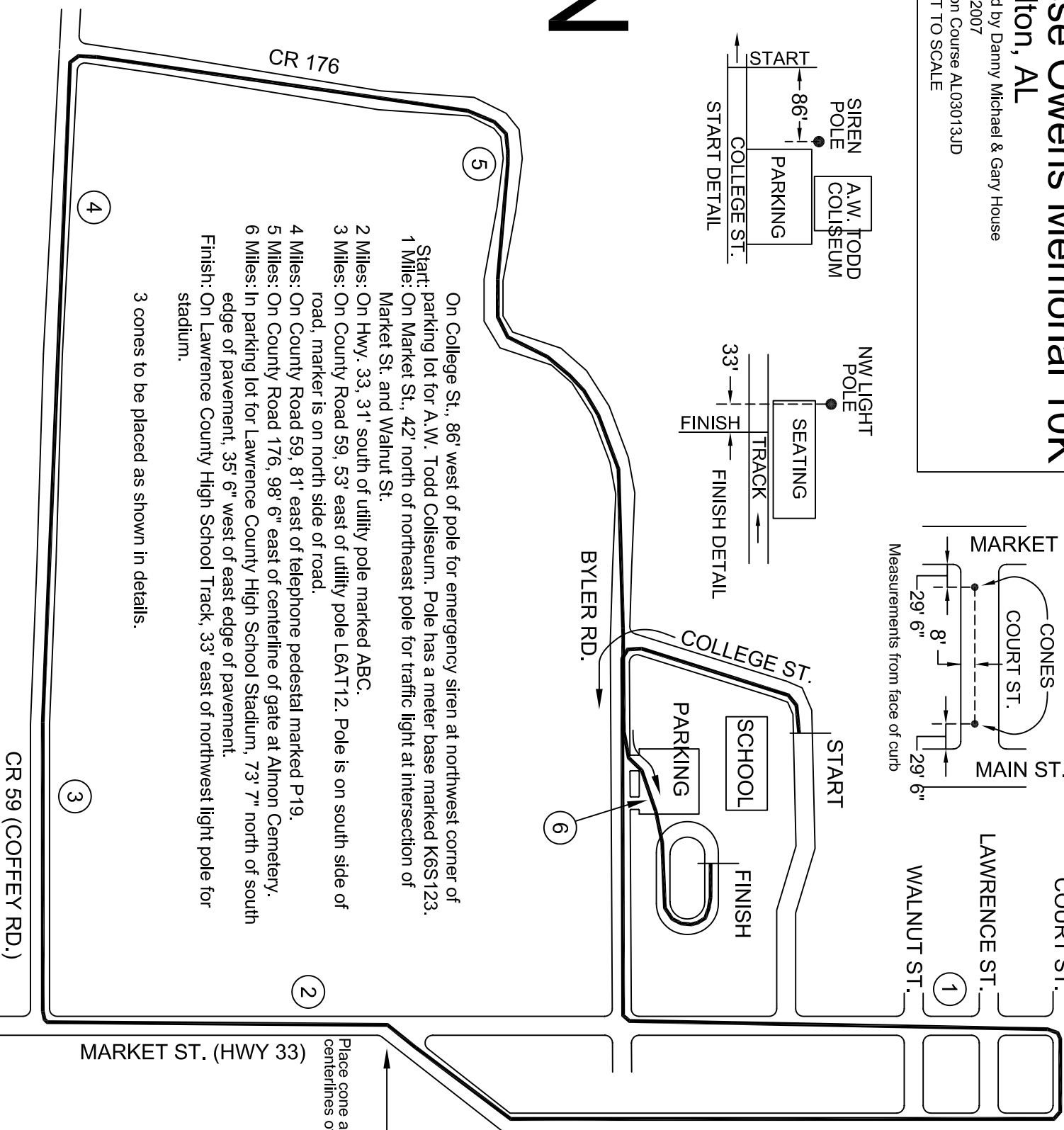
See cone detail at left

COURT ST.

LAWRENCE ST.

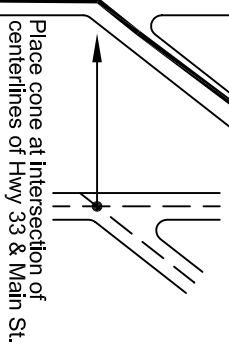
WALNUT ST.

MAIN ST.



- On College St., 86' west of pole for emergency siren at northwest corner of Start parking lot for A.W. Todd Coliseum. Pole has a meter base marked K6S123.
- 1 Mile: On Market St., 42' north of northeast pole for traffic light at intersection of Market St. and Walnut St.
- 2 Miles: On Hwy. 33, 31' south of utility pole marked ABC.
- 3 Miles: On County Road 59, 53' east of utility pole L6AT12. Pole is on south side of road, marker is on north side of road.
- 4 Miles: On County Road 59, 81' east of telephone pedestal marked P19.
- 5 Miles: On County Road 176, 98' 6" east of centerline of gate at Almon Cemetery.
- 6 Miles: In parking lot for Lawrence County High School Stadium, 73' 7" north of south edge of pavement, 35' 6" west of east edge of pavement.
- Finish: On Lawrence County High School Track, 33' east of northwest light pole for stadium.

3 cones to be placed as shown in details.



Place cone at intersection of centerlines of Hwy 33 & Main St.

CR 59 (COFFEY RD.)

MARKET ST. (HWY 33)